

Meteor Storm Pro/  
Meteor Storm w/  
RB-26



LX-BAT-  
2600/3200 w/  
MX-BC



RB-16



USB-WP



USB-RM-350



XP-USC

## Meteor Storm Pro

### SPECIFICATION

- \* 10 modes: Mode 1 / Mode 2 / Mode 3 / Mode 4 / Mode 5 / FL 1 / FL 2 / FL 3 / Day FLASH / SOS
- \* Boost Mode
- \* Matrix LED Display
- \* 2 pcs Cree XM-L 2 (U2) high brightness LEDs
- \* CNC aluminium heat sink casing
- \* Quick release PANASONIC lithium ion battery (3.6V 3200 mAh)
- \* Quick release handlebar mount (fits 22-35mm)
- \* Quick release helmet mount
- \* Magnetic battery cover design
- \* Water resistant (IPX 4)
- \* Water resistant USB port
- \* Over heat protection system
- \* Low battery, charging and fully charged indicator
- \* Automatic fully charged cut-off system
- \* USB remote control system
- \* Side visibility

### CONTENTS INCLUDED

- \* Meteor Storm Pro
- \* RB-26 (Handlebar bracket)
- \* RB-16 (Helmet bracket)
- \* USB-WP (Water resistant USB cable)
- \* USB-RM-350 (USB remote control 350 mml)
- \* LX-BAT-3200 PANASONIC Li-ion battery 3200 mAh x 2
- \* MS-BC (Magnetic cover)

### Optional accessories

- \* XP-USC (Wall charger)

## Meteor Storm

### SPECIFICATION

- \* 10 modes: Mode 1 / Mode 2 / Mode 3 / Mode 4 / Mode 5 / FL 1 / FL 2 / FL 3 / Day FLASH / SOS
- \* Boost Mode
- \* Matrix LED Display
- \* 2 pcs Cree XM-L 2 (U2) high brightness LEDs
- \* CNC aluminium heat sink casing
- \* Quick release SAMSUNG lithium ion battery (3.7V 2600 mAh)
- \* Quick release handlebar mount (fits 22-35mm)
- \* Quick release helmet mount
- \* Magnetic battery cover design
- \* Water resistant (IPX 4)
- \* Water resistant USB port
- \* Over heat protection system
- \* Low battery, charging and fully charged indicator
- \* Automatic fully charged cut-off system
- \* USB remote control system
- \* Side visibility

### CONTENTS INCLUDED

- \* Meteor Storm
- \* RB-26 (Handlebar bracket)
- \* RB-16 (Helmet bracket)
- \* USB-WP (Water resistant USB cable)
- \* USB-RM-350 (USB remote control 350 mml)
- \* LX-BAT-2600 SAMSUNG Li-ion battery 2600mAh x 2
- \* MS-BC (Magnetic cover)

### Optional accessories

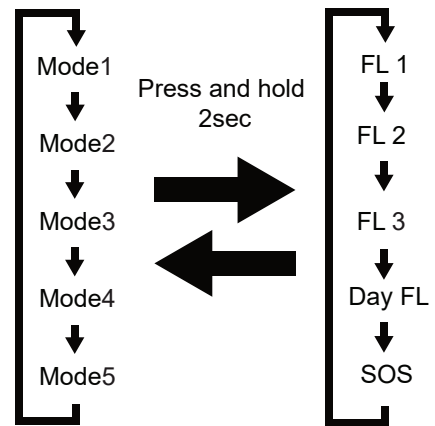
- \* XP-USC (Wall charger)

# Quick Start

## LIGHT OPERATION

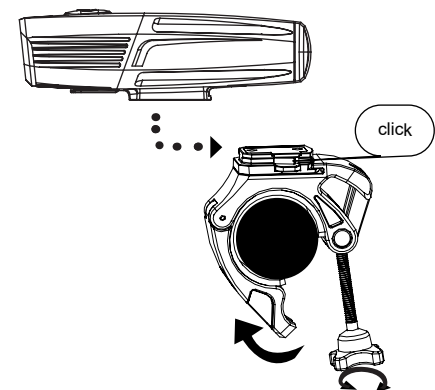
- 1/ Press power button to turn on the light.
- 2/ Press power button to choose modes.
- 3/ Press 2 sec to toggle between Steady and Flashing modes.
- 4/ Double click the power button to toggle to boost mode.
- 5/ Press and hold the power button about 1 sec to switch off.

\* Remote switch operation same as above

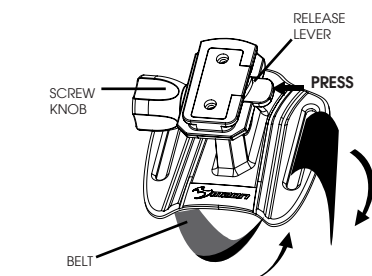


Never use the SOS sign unless there is a real emergency or dangerous occurring. The SOS signal is visible for several miles.

## LIGHT INSTALLATION

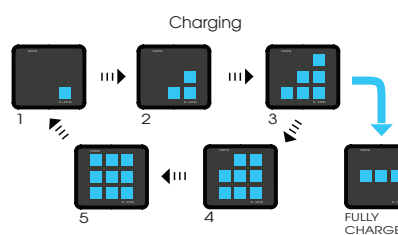
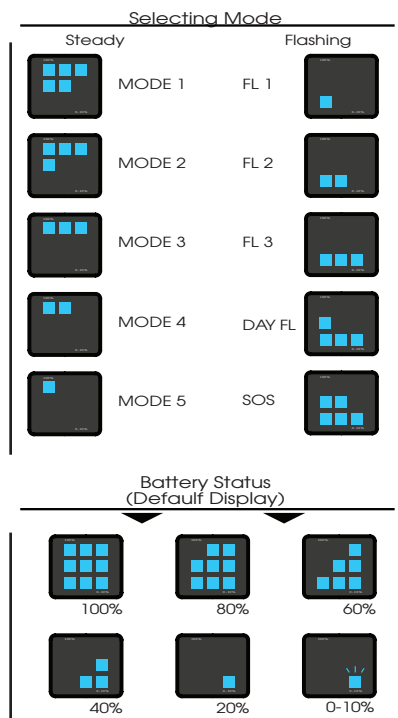


RB-26 (Handlebar bracket)

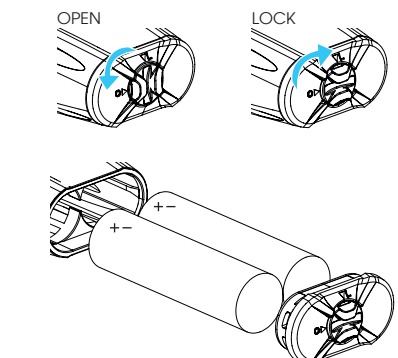


RB-16 (Helmet bracket)

## MATRIX LED DISPLAY



## BATTERY INSTALLATION



# USER GUIDELINE

## Thank you for choosing MOON Meteor Storm series headlight!

- \* Please read this manual before using. Please refer to online manual for any update of information.
- \* The light is not fully charged for shipment, please make sure to charge the light fully before use.

## BOOST MODE

By double clicking the power button, it instantly activates the highest output for 10 seconds. It resumes to previous mode after 10 seconds.

## DAY FLASH MODE

Day Flash Mode is the high output mode for daytime riding. Its high visibility alternative flashing enhances every rides by both seeing the road and being seen by others clearly.

## COOLING SYSTEM

The high brightness LED will heat up the light body while working, that is a high temperate light. A better cooling system can increase the running time, also increase 15%-30% brightness of the LED performance. To reduce the heat generated by the running LEDs, METEOR Storm Pro & Meteor Storm are designed with aluminum heat sink alloy body. The light side adopts novel shape design with high heat dissipation efficiency. It sufficiently disperse the heat away through the light.

## HANDLEBAR BRACKET

- 1/ Insert the handlebar bracket into the bottom slot of the light.
- 2/ Spin the below part of the bracket counter-clockwise to loosen the screw.
- 3/ Unlock the bracket and put the light in suitable place of your handle bar.
- 4/ Twist the screw clockwise to lock the bracket.
- 5/ The bracket fits 22 - 32mm handle bar. Additional shims are included and you can use them when necessary.

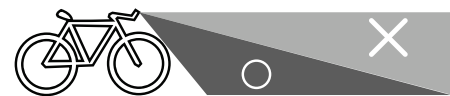
## HELMET BRACKET

- 1/ Remove the belt from one side of the helmet mount.
- 2/ Place the helmet mount into the suitable location on helmet.
- 3/ Wrap belt around helmet and attach the end of the belt to itself tightly.
- 4/ Insert the headlight into the helmet mount until it clicks into place.
- 5/ Press down release lever to remove.

To adjust the vertical beam angle when mounted on the helmet, loosen the screw knob and rotate the light up or down to your desired angle, then tighten the screw knob to hold the light in place.

## BEAM ADJUSTMENT

To adjust the horizontal beam, spin the headlight left to right for your best side to side beam angle. To adjust the vertical beam angle, loosen the mounting and rotate the light up and down to your best vertical beam angle, then tighten the mounting.



The beam is widely dispersed, besides its high brightness. To prevent from blinding the oncoming vehicles on the public roads, you'd better adjust the angle downward.

## MATRIX DISPLAY

Matrix LED Display is a multifunctional display provides operational information including modes, battery status and charging status.

## MODE MEMORY

When turning on the light, will be in the mode as the last usage.

## OVER HEAT PROTECTION

The over heat protection device can ensure the bicycle light in a good running temperature condition, so that to protect the LEDs without burning case. When the bicycle light is running and without adequate air flow, this protection device will automatically start to dim the light to standard brightness mode, it can reduce the heat of the light and ensure the LEDs won't get damage due to over heat. Once the air flow condition of the light is improved, the running temperature of the light will go down, then the over heat protection device will cut, the brightness of the bicycle light will get back to the beginning of the selected mode.

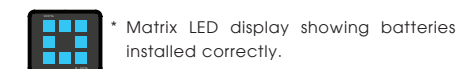
## CHARGING

- 1/ Find the USB port under the head part of the light.
- 2/ Lift the rubber cover and you'll see the charging port.
- 3/ If using USB cable, connect it to your computer USB port.
- 4/ If using wall charger, connect it to the wall outlet. (100 to 240 volts)
- 5/ Charge time may depend on computer or wall charger.
- 6/ When the battery is fully charged, please unplug the USB cable or wall charger. Then replace the rubber cover.

## BATTERY INSTALLATION

### Install or release the battery

- 1/ Align the battery cover to the point "O" to open.
- 2/ Release or insert batteries.
- 3/ Cover the batteries with the battery cover.
- 4/ Align the battery cover to the point "L" to lock.



\* Light can be run with one battery as backup. Please install battery into the right battery housing only. Runtime is vary from the standard one.

## REMOTE CONTROL

### Install remote control

- 1/ Find the USB port under the head part of the lights.
- 2/ Lift the rubber cover.
- 3/ Plug in the remote control USB cable.
- 4/ Make sure it has been completely plugged in.

### Remote switch mounting

- 1/ Put one end of the belt go through the cycle handle bar or helmet hole.
- 2/ Align to the controller button and pass through.
- 3/ Please pull the Velcro ends tightly.

## CLEAN AND CARE

- 1/ METEOR Storm Pro & METEOR Storm are designed to be used on bikes in some of the most extreme outdoor conditions. Ensure light is cleaned with a damp cloth after every ride.
- 2/ The Cree XM-L high-brightness LEDs have extensive life so bulb replacement is not required.
- 3/ Water resistant is for rain water only. Do not submerge the battery or the whole light into water when cleaning.

## BATTERY

- 1/ Please use batteries with same mAh.
- 2/ It is normal that the light may get high temperatures during charging (up to 104°F/40°C), as the chemical in battery is in reaction. If the battery is not drained completely before charging, it may also get warm.
- 3/ Please use two 2600mAh/ two 3200mAh batteries in the same time. Do not mix batteries with different mAh in one light.
- 4/ Several factors can influence the battery's durability: type of cell strain, the maintenance routine, the temperature and number of charges etc. Normally speaking, the higher the battery capacity, the longer the burn time.
- 5/ The battery capacity may become ineffective about 80% of its value after 300-500 charge/discharge cycles. The battery may have 3 years life span under good care.
- 6/ The battery voltage and capacity decrease apparently at low temperatures, especially near or below ice point. The capacity decreases 5%-10% at freezing (burn time decreases 50%). At -20°C, the capacity decreases 30% (burn time decreases 70%). The battery performance will return normal when the temperature gets up to 70°F/20°C. The battery will lose around 1% of its capacity per day when you store the battery at normal room temperature. Battery temperature should never exceed 104°F/40°C, it will lose about 5% of its capacity per day.
- 7/ If you do not use the battery for a long time, be sure to fully recharge every 3 months. Please store the battery in a cool and dry place.
- 8/ Do not charge over 5V the battery will result in damage.

## CAUTION

- 1/ Keep away from flammable objects while charging as this may lead to fire or battery explosion.
- 2/ Do not smoke while charging as the battery may release hydrogen gas. Always charge your battery in a well-ventilated space.
- 3/ Never connect or disconnect the plug or cord with wet hands whilst charging. Do not connect or disconnect the plug or cord when they are wet, it may lead to electric shock.
- 4/ Carrying a flash light is recommended.
- 5/ Use caution when handling, the light may get hot.
- 6/ Do not look at light directly.
- 7/ Do not leave the light on and unattended.
- 8/ Do not store head light when hot or straightway after use.
- 9/ Unplug the light, charger and cable once the battery is fully charged.

## TROUBLESHOOTING

### HEADLIGHT

- The headlight cannot be turned on.**
  - \* Make sure the power button was firmly pressed.
  - \* Make sure battery is installed correctly.
  - \* Make sure the battery is fully charged.
- The headlight turns off over rough terrain.**
  - \* Check if the battery is fully inserted.

### REMOTE

- The headlight cannot be turned on with remote switch.**
  - \* Make sure the USB remote is properly plugged.
  - \* Make sure the battery is fully charged.

## WARRANTY

MOON warrants to the original purchaser of this product that the product is free from defects in material and workmanship for a period of one year. This warranty does not apply to damage due to heat, physical damage resulting from abuse, neglect, improper repair, improper fit, or alterations of the fixture. This warranty is in lieu of all other agreements and warranties, general or specific, express or implied and no representative or person is authorized to assume liability on behalf of MOON in connection with the sale and use of this product.

MOON reserves the right to request the return of any product submitted for warranty consideration. All customers should contact the local dealer or regional distributor for warranty service.

To make a claim, first call local dealer or regional distributor. Some issues may be resolved upon the initial call. If return of the product is necessary, please refer to the following instructions:

- \* We recommend that items be sent by a traceable method (such as FedEx or UPS). MOON is not responsible for lost or misdirected packages.
- \* Please include your full contact information (name, address, phone number, and email (if applicable)), and a description of the issue.
- \* Address items to: local dealer or regional distributor

What is not covered: MOON Lights are covered by a ONE YEAR LIMITED WARRANTY from the date of purchase. This covers the lights and cables only. It does not cover the battery or battery internals. Batteries are covered by 120 days warranty.

For more information please contact us at [cs@moon-sport.com](mailto:cs@moon-sport.com)

